



TECH LINE

FSP-P-16M/24M Fiber Distribution Box**1、 Description:**

FSP-P-16M/24M Fiber Distribution Box is used as a terminal point for the feeder cable to connect with drop cable in telecommunication network system. The fiber splicing, splitting, distribution can be done in this box, and meanwhile it provides protection and management for the FTTx network building. Especially the bottom plate is changeable.

2、 Specification:

- 1) The cable entry uses cable gland to provide protection at the bottom.
- 2) 16/24 cores fibre termination capacity
- 3) Support wall , pole mounting.
- 4) Protection Grade : IP65

- 5) All the metallic components, parts and accessories are protected against corrosion and various forms of localized corrosion.

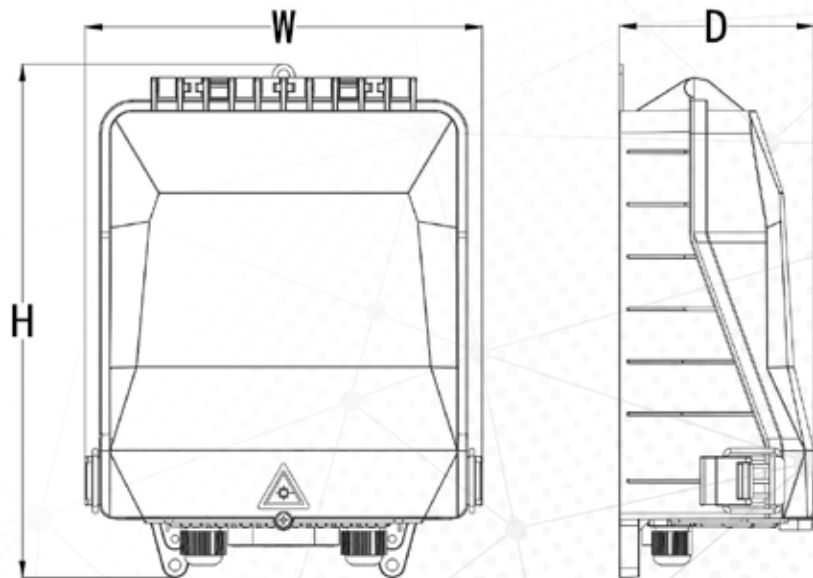
3. Applications

- 1) FTTH access network
- 2) Telecommunication network
- 3) CATV networks
- 4) Data communications network
- 5) Local area networks

4. Configuration Table

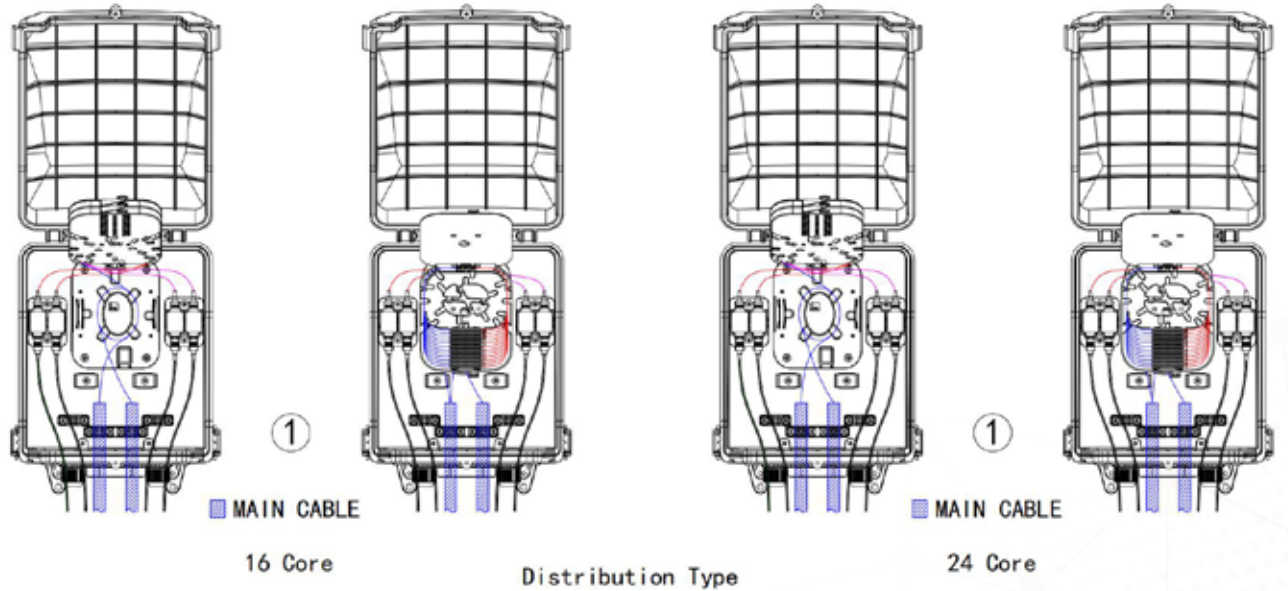
| | |
|-----------------------|--------------------------|
| Model | FSP-P-16M/24M |
| Size (Pic 1) | H×W×D = 306×237×116 (MM) |
| Material | PC+ABS |
| Color | Black /Gray |
| Splice Capacity | 24 Cores |
| Minimum fiber bending | ≧ 30mm |
| Adapter Type | SC |
| Adaptor Capacity | 16/24 Pcs |
| Installation Method | Wall / Pole-mounted |

Table 1 Model and configuration

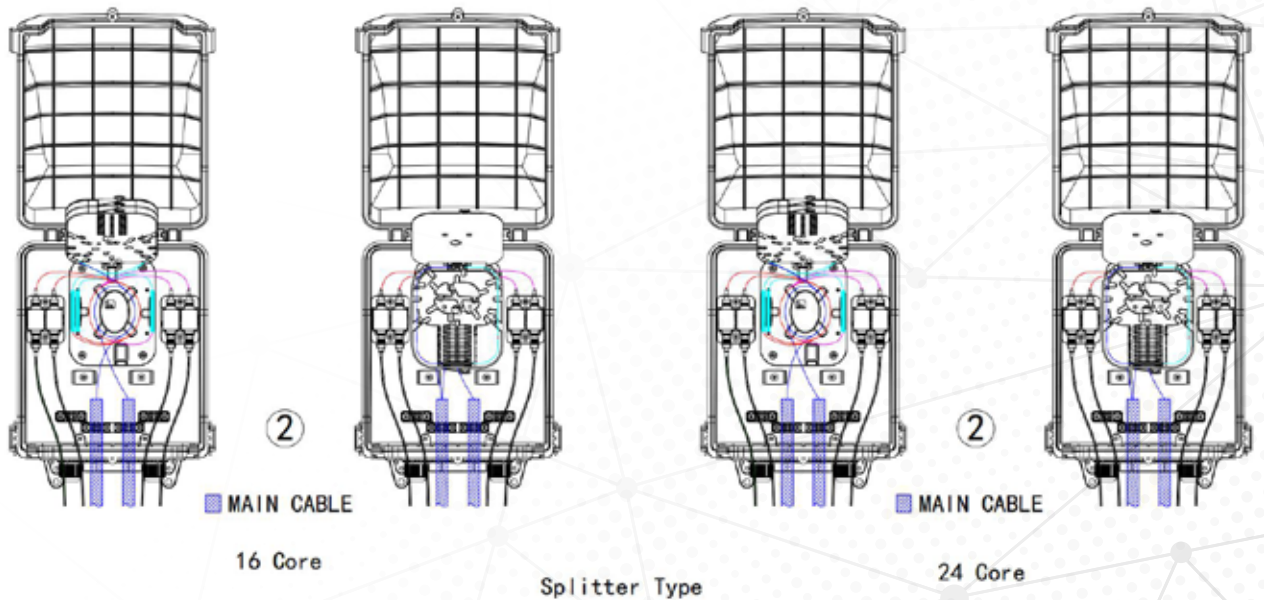


Pic 1

5. Routing (Pic 2,3)



Pic 2

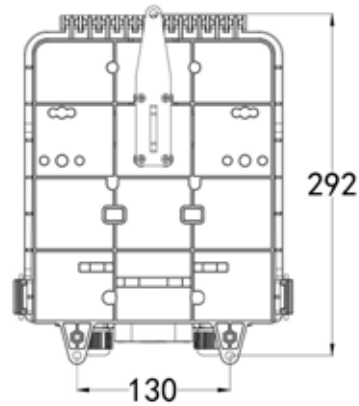


Pic 3

6. Installation

6.1 Wall-mounted installation

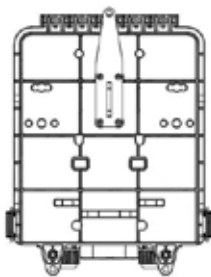
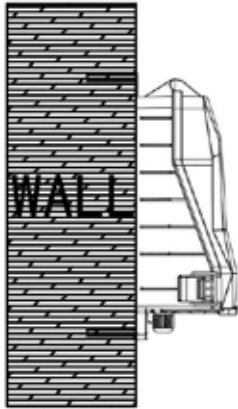
Drill 3 holes in the wall according to the installation size, place the expansion bolt, place the box to match up the holes and use bolt to fasten (Pic 4,5) .



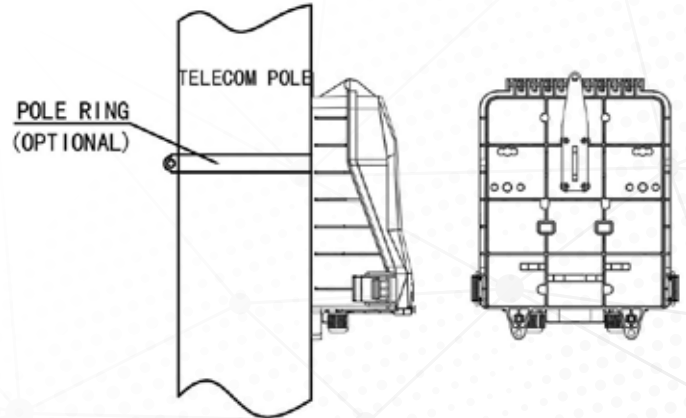
Pic 4

6.2 Pole-mounted installation

Fix 1 set of the hose clamps to the telecom pole . (Pic 6)



Pic 5



Pic 6